

iDimension® PWD System

Pallet Weighing and Dimensioning System



Standard Features

Versatile Uses

iDimension PWD is capable of measuring pallets up to six feet (1,829 mm) cubed—or packages as small as six inches (152 mm)

Convenient Pallet Tare Mode

For non-Legal for Trade applications, iDimension PWD can measure objects on a pallet by excluding the pallet from the measurement.

Easy Network Integration

The iDimension PWD is designed to easily transfer images and dimensions to a network, simplifying claims processes. Built with a web service interface, iDimension PWD offers simple integration using configurable capture definitions through HTTP requests, status checking and XML parsing.

Quick, Simple Installation

In less than a day, the iDimension PWD can be set up, configured and put to work

Options

High Resolution Camera

Capture an image of each piece of freight to provide proof of condition to simplify the freight damage claim process. Produces a color image at 2688 x 1606 pixels.

Wireless Barcode Scanner

Optional long range wireless barcode scanners available to trigger the iDimension PWD

Access Ramps

One or two side-mounted ramps provide access for pallet jacks

Overhead 5th Sensor

Increases performance when dimensioning highly reflective and IR sensitive pallet shrink wrap material and small protrusion located on top of freight pallets

Software Programs

QubeVu Desktop for use as a software keyboard wedge, entering weight and dimensions into application fields. iDimension SS for storing data and images transferring data to ERP and WMS systems

Specifications

Legal for Trade Measurement Range (L x W x H):

Maximum freight size:
72 in x 72 in x 72 in
(1,829 mm x 1,829 mm x 1,829 mm)
Minimum freight size:
6 in x 6 in x 6 in (152 mm x 152 mm x 152 mm)

Measurement Increment:

0.5 in (1 cm)

Performance Characteristics:

Most surfaces are captured; transparent/translucent and glossy surfaces may provide a variance

Item Placement:

Single pallet centered on the floor scale for best performance

Minimum Pallet Height:

4.25 in (108 mm) wood pallets

Shapes:

Solid shapes (3-inch (76 mm) protrusions or more) will be included in dimensions

Lighting Conditions:

Operates in any indoor lighting environment

System Contents:

iDimension PWD
Calibration object
12 in x 12 in x 12 in (305 mm x 305 mm x 305 mm)
test box

Power Requirements:

Single power source (96-264 VAC)
with 25 ft (7.62 m) power cable

Optional Network Camera:

Wide angle POE network color camera with 3-axis camera angle adjustment. IP24 rating. Standard 2688 x 1606 pixels @ 751kb standard output in .jpeg format. Configurable for time and date, scan ID, system serial #, dimensions and dimensional indicators

Operating Temperature:

14°F to 104°F (-10°C to 40°C)

Humidity:

0-90% non-condensing

Warranty:

Two-year limited warranty
Five-year limited warranty, sensors only

Packaging Dimensions:

Crate 1: 103 x 75 x 27 in (2,616 x 1,880 x 676 mm)
Crate 2: 101 x 74 x 34 in (2,565 x 1,880 x 864 mm)
Crate 1 weight: 1,715 lb
Crate 2 weight: 900 lb

Approvals:

NTEP 19-076A2

Approvals



Part Numbers/Price

Part #	Description	Price
System		
199318**	iDimension PWD System, NTEP approved with 5,000 x 1lb capacity floor scale	Consult
System Options		
200168	2.4 mm POE network camera – up to 1 optional	Consult
199665	iDimension PWD pallet jack ramp	Consult
199666	Optional 5th overhead sensor	Consult
206229	Honeywell long range TCP/IP scanner kit for use with iDimension SS Software	Consult
202525	2.4 mm POE network camera with varifocal lens, up to 1 optional	Consult
198539	Cable, 4-wire patch M12 Ethernet, 10 meters	Consult
199818	5-wire micro DC cordset, 20 meters	Consult
206304	PWD kiosk printer & scanner mount	Consult
202141	Assy spider j-box, network & power switch	Consult
Optional Integrated Solutions		
203010*	QubeVu Desktop App, software keyboard wedge, Windows 10	N/C
175812	iDimension SS webserver software, Windows 10, for data collection and integration	Consult
Optional Factory Service and Support		
194215	Annual software maintenance	Consult
171666	iDimension field install and training/day, travel and expenses not included	Consult
Extended Warranty – 2 year standard		
202033	iDimension PWD/LTL additional 1 year extended warranty	Consult
202034	iDimension PWD/LTL additional 2 year extended warranty	Consult
202035	iDimension PWD/LTL additional 3 year extended warranty	Consult

* Available for free download at www.ricelake.com

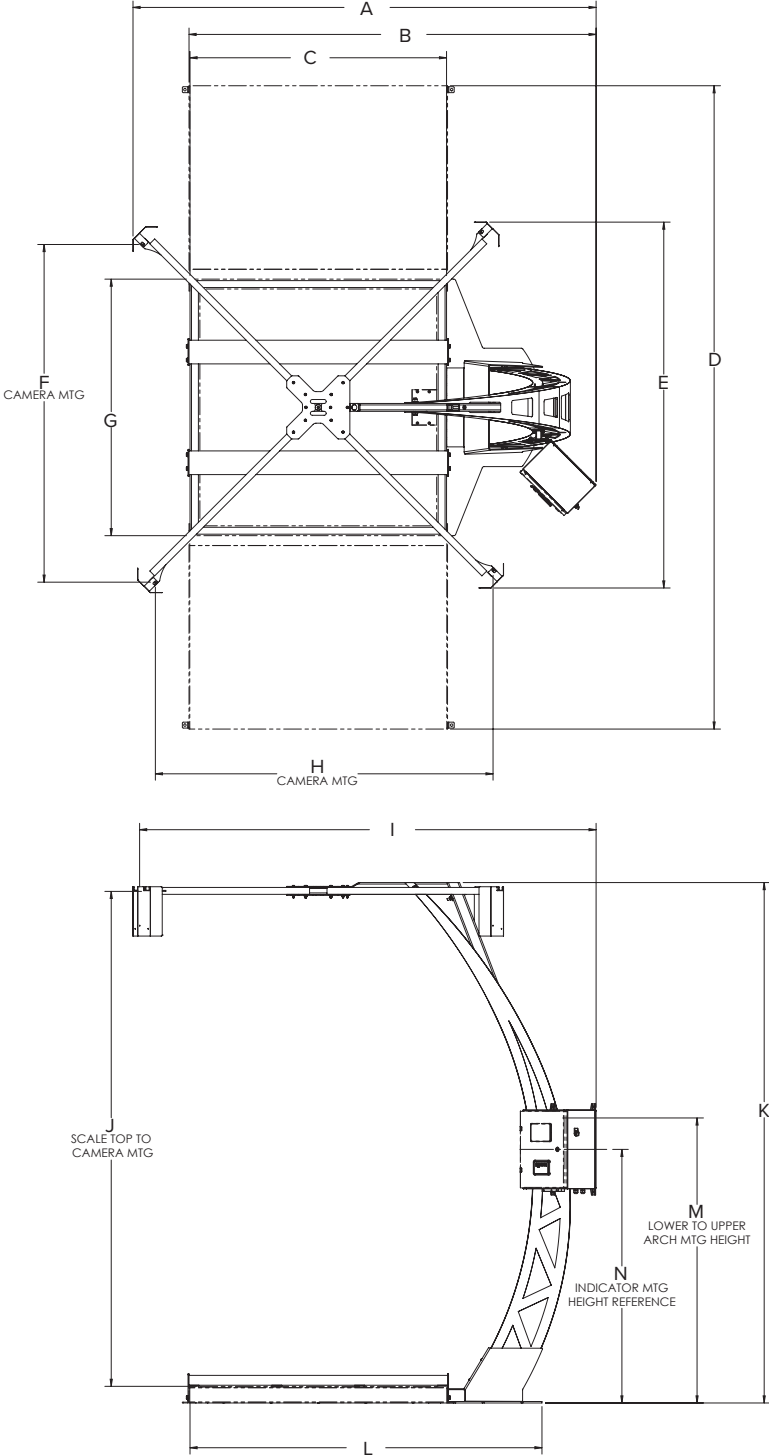
**Wall mount, over the conveyor, pole mounted and ceiling models available upon request. Requires dimensions and images of mounting location prior to shipment. Requires knowledge on use of forklift or pallet jack prior to ordering.

iDimension® PWD System

Pallet Weighing and Dimensioning System

Dimensions

	Inches	Millimeters	Inches	Millimeters	Inches	Millimeters
A	117.34	2,980	F	85.56	K	131.86
B	103.14	2,620	G	65.00	L	89.18
C	65.00	1,651	H	85.56	M	72.22
D	163.00	4,140	I	115.66	N	64.25
E	92.70	2,355	J	125.41		



DIMENSIONING