

# SAP.B PLUS



# SAP.B PLUS

Automatic labeling machine with  
print and apply to pneumatic arm

## Main features

- Cadences up to 120 ppm.
- Working temperature: from 0 °C to + 40 °C.
- Power supply: 230 Vac (Hz 50/60).
- Maximum power: 0.55 kW.
- Structure and carpentry in aluminum and stainless steel.
- Machine management by PLC.
- Print mode: thermal transfer and/or direct.
- Resolution: 8 dots/mm, 203 dpi (optional: 12 dots/mm, 300 dpi).
- Print speed: 203 dpi, 457 mm/s - 300 dpi, 300 mm/s.
- Label dimensions: from 40x40 to 110 mm x 110 mm.
- Print width: 104 mm.
- Internal diameter of the roll: 76 mm.
- Outer diameter of the roll: 300 mm.
- 600 meter ribbon capacity.
- Label application by pneumatic rotary arm with sponge application plate, consumption 4/6 bar 40 l/min.

## Software

- Machine management program.
- Program for printing and editing labels with image technology. Sw custom label.

### Selectable functions

- External availability for data sharing.
- Multilingual selection.
- Multi-level password.
- Remote support.

### PLU

- PLU number: 9999.
- All fields can be printed in bold, italic, underlined, single character, supporting different types (fonts, alignments, sizes, bold etc.) of character in the same text.

### Label formats

- Customizable label formats (editable print format on the machine).
- Rotation of the label format: 0, 90, 180, 270.
- Rotation of the fields.
- Print in bold, italic, underlined, single font.
- It supports different fonts, not just per line.
- It supports and prints logos.
- Support of all barcodes.

### I/O Section

- 1 USB 2.0.
- 1 Ethernet.
- 2 electrical signals (clean contacts).

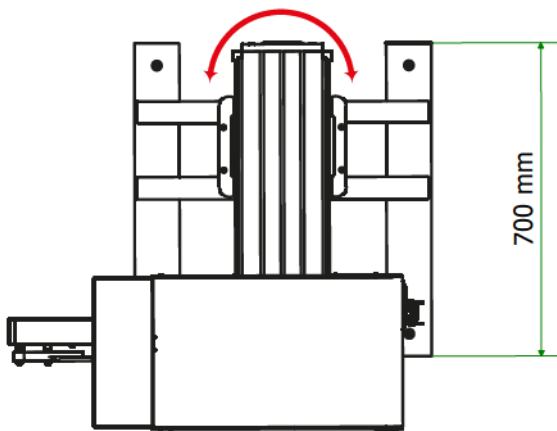
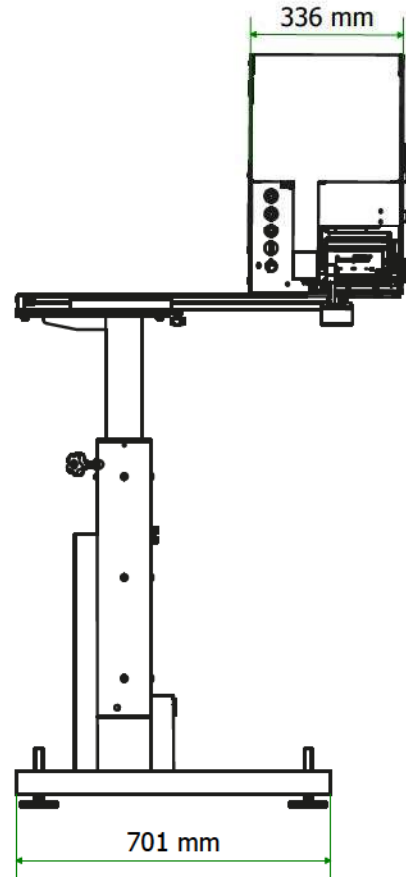
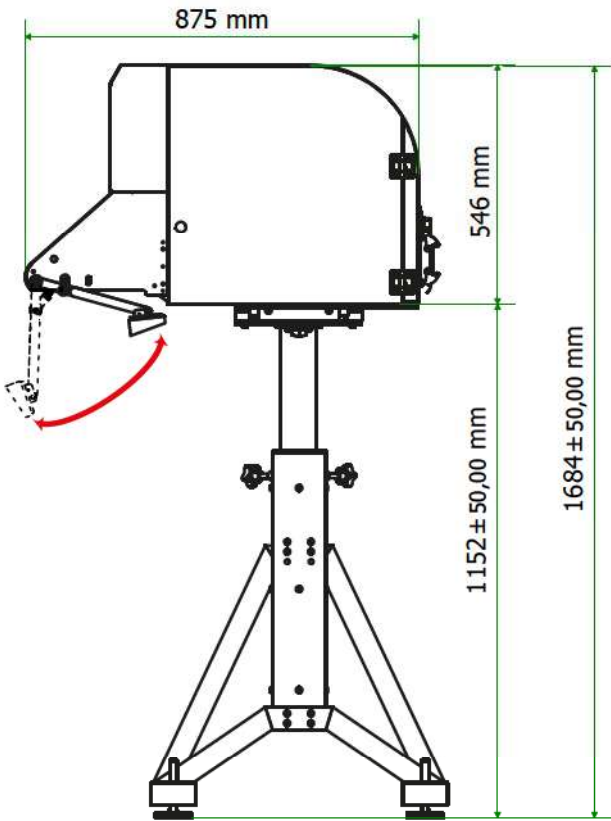
### Diagnostics

- Continuous monitoring of the status of the machine and of all integrated systems.

## Options

- Resistive PC/Panel 12" display, suitable for use with gloves and in the presence of water/condensation.
  - Print resolution: 300 dpi, speed 300 mm/s.
  - 2D camera for label presence.
  - 2D camera for reading QR Code.
  - External PROFIBUS interface, Profibus protocol with PCB.
  - Communication protocol ETHERCAT.
  - Mechanical handling of horizontal, vertical and rotational printing unit (180°).
  - Conveyors.
  - Side printing unit positioning kit.
-

Layout



*Technical specifications and images may be subject to improvements and modifications without notice.*