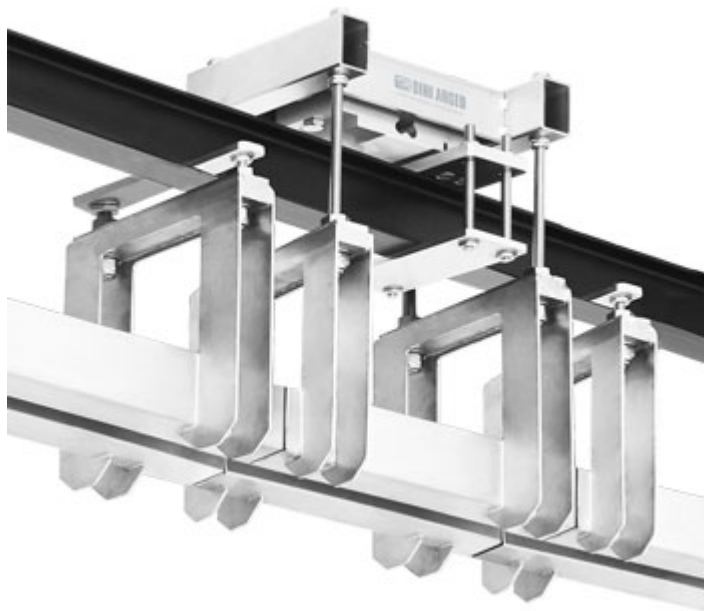


TWL

TWL SERIES OVERHEAD MONORAIL WEIGHING SCALES



Weighing modules for overhead monorails, easily adaptable with any type of handling system, even existing ones. Fitted with OIML approved load cell.

**The best solution
for advanced industrial
applications**

MAIN FEATURES



- It operates with 1 aluminium load cell with IP66 protection rating, approved according to OIML R60 C3.
- AISI 304 STAINLESS STEEL structure, fitted with accessories for fastening to the beam and threaded rods for fastening to the customer's track section.
- Electropolished structure for easy cleaning: the smooth surface helps reduce dirt accumulation and the proliferation of microorganisms.
- Maximum length of the overhead rail weighing section: 300 mm.
- Up to 15 Vdc power supply.
- 6-wire shielded cable, 3m long, 5mm diameter.

OPTIONS ONLY AVAILABLE AT TIME OF ORDER

- Connection to the indicator and calibration with CE-M 3000e single range or 3000e+3000e dual range approval (with our indicator).
- Models with special sizes and capacities (ask for estimate).
- Possible adaptations with customer's track section (to be supplied per account of manufacture), which will be quantified upon job card cost account.
- Stainless steel load cell.

VERSIONS

Available versions

Codice	I x w x h (mm)	N° celle	Max (kg)	d (g)	M (g)*	M 2R (g)*
TWL15 	310x200x125	1x300kg	150	50	50	20-50
TWL30 	310x200x125	1x500kg	300	100	100	50-100

(*) Divisions obtainable only with the relative options, in combination with Dini Argeo weight indicator.

NOTE:



- The track section to be applied to the scale and relative fastening to the threaded rods must be realized by the customer.
- ATTENTION: The order is possible only upon verification of the system's data, executed by our technicians when the filled out DataRequest_TWL_ENG module downloadable up here is sent.
- The capacity and division must be specified in the module for the verification of the feasibility, consequently to the requested features.

COVENTRY SCALE COMPANY



COVENTRY SCALE COMPANY LTD

UNIT 8, SPITFIRE CLOSE - CV5 6UR - COVENTRY

Tel. 0044-2476-593500

Fax. 044-2476-601239

E-mail info@coventryscale.co.uk

Web www.coventryscale.co.uk