

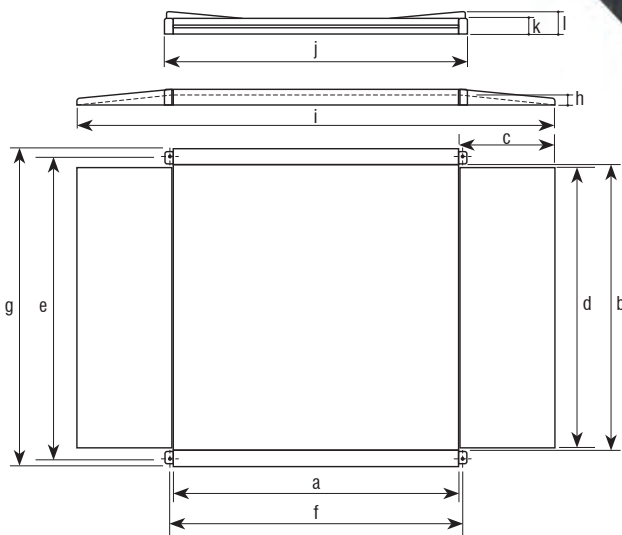
4 load cells scale platform

M

VERIF

FEATURES:

- Platform with 4 load cells, with low profile.
- It can be used in legal metrology.
- Installation on ground.
- Diamond plate 5 mm thick in steel.
- Steel framework, in cold formed sheet 3 mm thick.
- Load cells OIML R-60 C3, in steel, IP67 protection.
- Junction box in ABS, IP66 protection.
- Lateral access to the junction box.
- 2 folding access ramps included.
- 5 output metres of cable included.



| Dimensions (mm) | a | b | c | d | e | f | g | h | i | j | k | l |
|-----------------|------|------|-----|------|------|------|------|----|------|------|----|-----|
| 1200x1200 | 1200 | 1200 | 500 | 1150 | 1182 | 1240 | 1370 | 50 | 2210 | 1286 | 82 | 137 |
| 1500x1500 | 1500 | 1500 | 500 | 1450 | 1592 | 1538 | 1670 | 50 | 2510 | 1584 | 77 | 120 |



Steel painted column

h: weighing surface height

| Code # | Capacity (kg) | Readout (g) | Dimensions (mm) | Packing dimensions (mm) | Packing weight (kg) |
|--------|---------------|-------------|-----------------|-------------------------|---------------------|
| 260236 | 1500 | 500 | 1200x1200 | 1320x1390x120 | 180 |
| 260237 | 1500 | 500 | 1500x1500 | 1620x1720x120 | 230 |

Accessories

| Code # | Accessories description |
|--------|--------------------------|
| 910134 | Stainless painted column |